

PLARAD

MESSENGER

THE OFFICIAL COMPANY NEWSLETTER



Plarad's solution for biggest Onshore Wind Turbine

Power tools and applications for bolting challenges

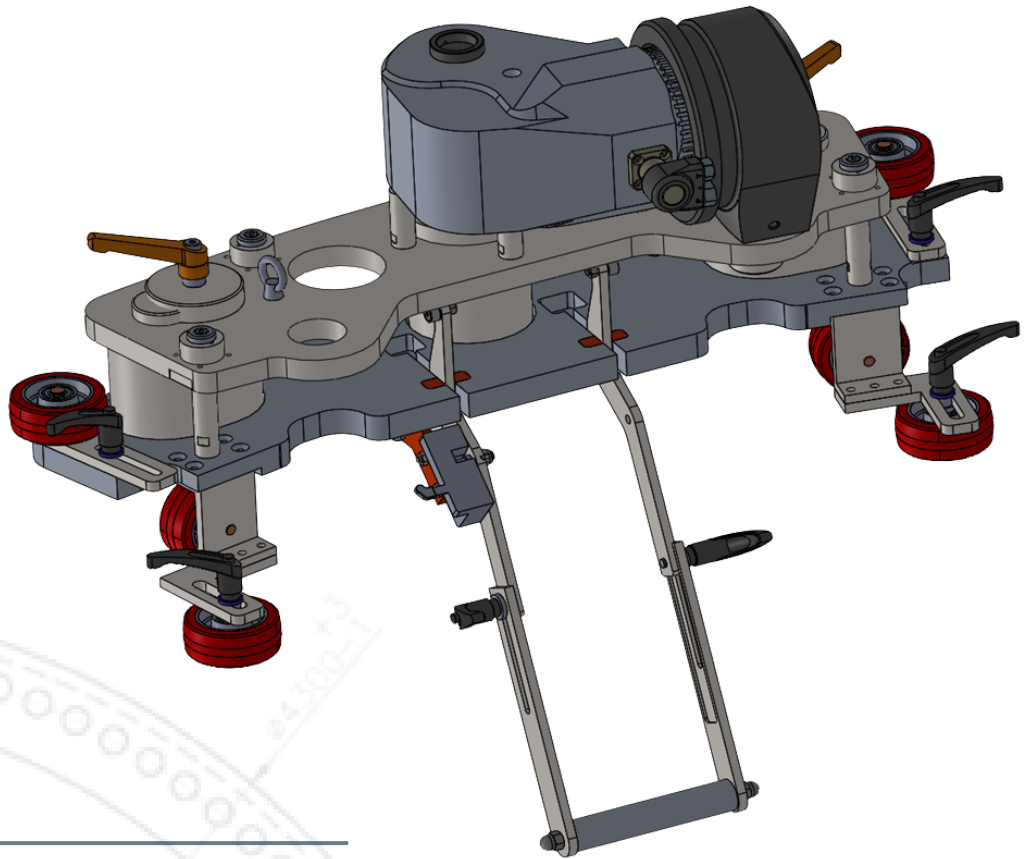
GE's Cypress platform has a hub height of up to 167m, which requires a tower structure of several sections. Due to the conical shape of the tower, there are multiple flanges with different diameters up to 120 bolts. Some of the bolt connections have a final tightening torque up to 30.000 Nm, which requires heavy duty tooling.

To fulfill all necessary health & safety regulations, and to give optimal working conditions to the user. Plarad has designed an easy, quick, and sustainable solution to fasten all Cypress tower flanges with one set of tools.

Flange Trolley by Plarad

Flexible toolset for high torque values

The customised design of the trolley enables it to be used on flanges of various diameters- thanks to its shape and the flexible, adjustable supports. Smooth-running wheels and the intelligent lifting mechanism moves the Plarad torque wrench easy from bolt to bolt by hand. It has never been easier to apply 30.000 Nm on site.



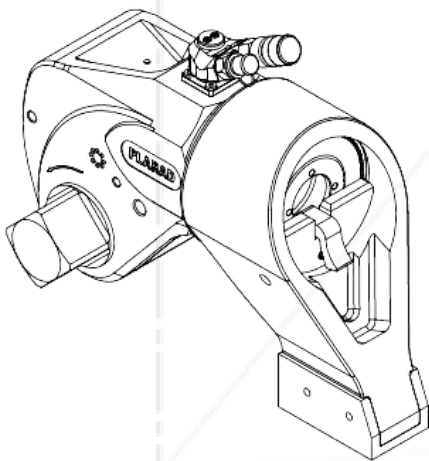
Plarad MX-EC 400

Heavy duty torque wrench up to 40.000 Nm

Technology that has been proven over a thousand times, combined with compact construction and durability.

- High torque
- Patented ratchet system achieves the highest torque precision and avoids slipping
- Durable and tough
- light-weighted aluminum body

order no. # 53334



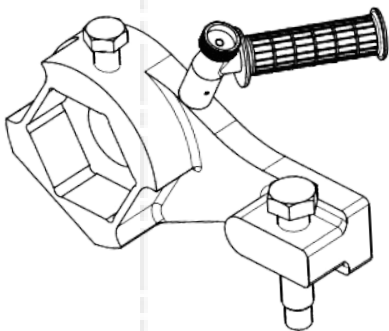
Plarad Counter Wrench

Verified up to 15.000 Nm

Customised Plarad's counter wrenches for GE Cypress bi-hex nuts in various sizes.

- Slim and handy
- Strong and long lasting.

order no. AF 100 # 80052



For more information or further technical details, please feel free to contact us.