

PLARAD

MESSENGER

THE OFFICIAL COMPANY NEWSLETTER

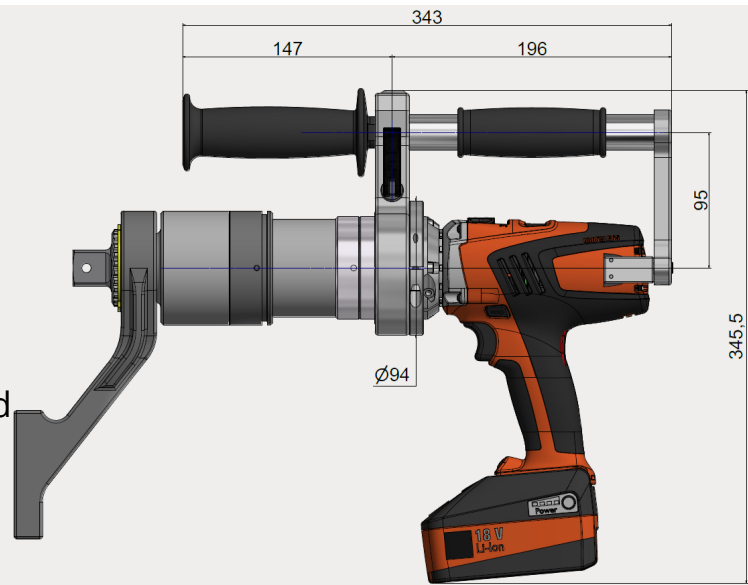


Two-Hand Safety Control

Plarad Battery Nutrunner for 2-hand safety operation

Official authorities report that approx 30% of all workplace injuries are related to the hands and fingers. In a heavy industry like wind, mining, and oil & gas, the figures are much higher as compared to other industries. For this reason, Plarad has developed a smart 2-hand safety system for the battery gun which reduces the danger of hand inquiries significantly.

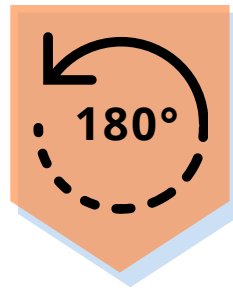
Type	DA2-36
Performance range	130 - 3600 Nm
Weight incl reaction arm	8,0 kg
Automatic locking/release	Yes
Active battery control	Yes
Battery charge indicator	Yes
Rpm	15 (gear 4)
On/off trigger	Yes - constant speed
Sq drive size	1 inch / 254mm
Battery capacity	5.2 Ah /6 Ah
Number of tightenings	Up to 104 (M36x95)



Avoid injury



Safety



Flexible handle



Heavy duty



"Since we are using Plarad's DA2 battery nutrunner with 2-hand safety system, our guys feel much more safer..."

D. Jörgenson,
Supervisor Wind Installation

Scope of supply DA2-36 SST

- Trolley / IP 67 (dust, waterproof)
- Battery gun DA2 SST 2.0
- Reaction arm
- 2x 5.2Ah battery packs
- Charging dock 230V or 110V
- Manual & torque chart



Art.No. 77549 (230V)

For more information or further technical details, please feel free to contact us.