

# PLARAD<sup>®</sup> MESSENGER

THE OFFICIAL COMPANY NEWSLETTER



## Bolts that hold international trade together!

Every day tons of goods are transported on ships worldwide. Therefore it is fair to say that they are the backbone of international trade. Nevertheless, these goods cannot be transported if the smaller parts such as bolts do not hold them together in rough conditions like on the sea.

Therefore Plarad makes sure that our tools fasten these bolts precisely to ensure the safety of people and goods and secure the supply chain. Our hydraulic torque wrench tools such as MX-EC and FSX are commonly used in ships and ports around the globe. These tools are very smart and easy to use but also extremely robust.

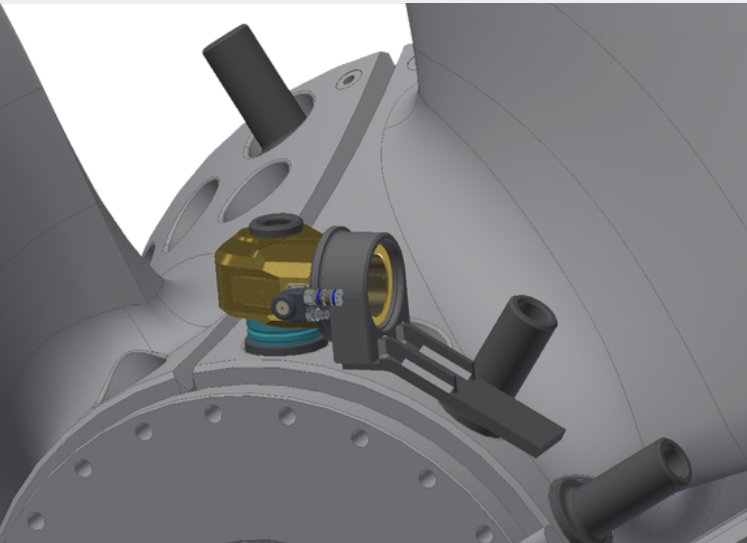
# Plarad MX-EC 300 TS 2AS



## Technical Details

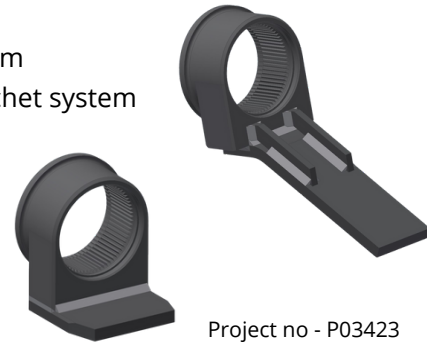
- Max torque 30.000 Nm
- Sq drive size 2 1/2
- Hose connection 360° 180° swing
- Body construction aluminum
  
- Compact dimension
- Underwater operation
- Easy to repair and maintain
- Safety over-pressure relief valve
- Fine-toothed ratchet system - no jamming

Article no 64715



## Plarad special reaction arm

- Customized design (various dimensions available)
- Engineered up to 30.000 Nm
- Safe and quick release ratchet system
- Heavy duty solidly built



Project no - P03423

## Plarad power pack IQ VAX 2-Z

- Fully automatic
- Fastest 800bar power pack on the market
- Patented motor under oil technology ( no overheating)
- Compact design
- Constant pressure
- Smart documentation
- Available from 110v up to 480v 50/60 Hz
- Available for simultaneous bolting applications

Article no - 51908



For more information and further technical details, please feel free to contact us.