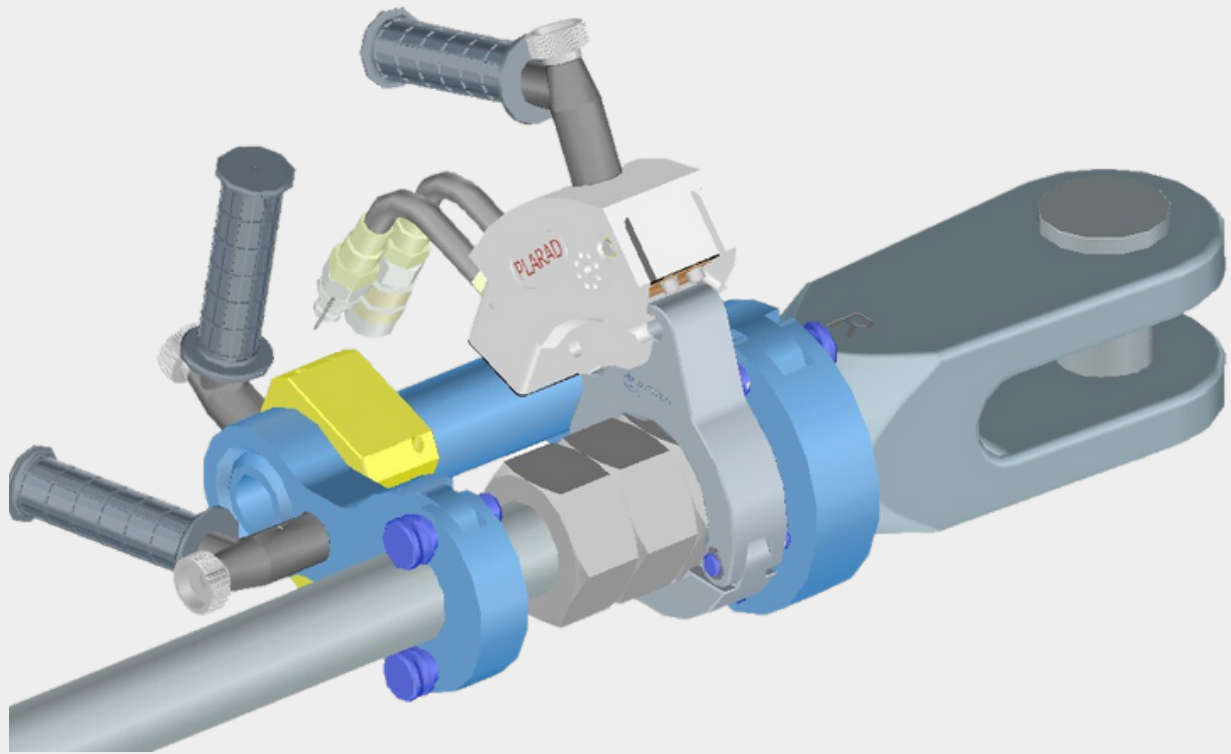


PLARAD[®] MESSENGER

THE OFFICIAL COMPANY NEWSLETTER



Small but mighty: Plarad's K-series torque wrenches for industrial spanning applications

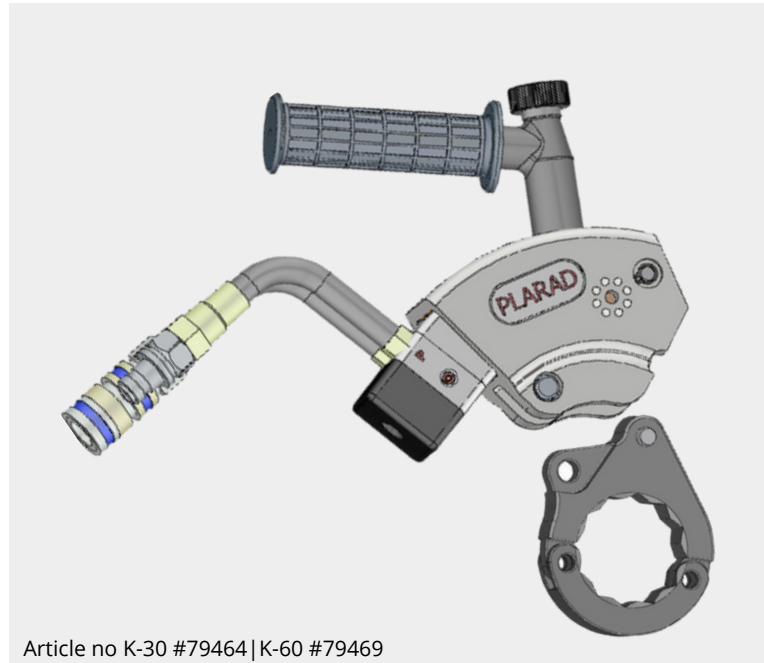
Plarad's K-Series Torque Wrenches are multi-functional tools that can be applied for an assortment of tasks like stabilizing machine housing at wind turbines, tightening cables or ropes for cable cars and many other applications. They're small, durable and reliable.

The Plarad K-Series Torque Wrenches can be used to securely fasten the e.g. "crosswind application" with the assistance of a specially designed reaction support. The dividable ring spanner enables attaching the K-tool to the nut of a "closed bolting case" and the torque wrench will be supported by a customized reaction bar. This straightforward and efficient process ensures that for example wind turbines are installed & maintained efficiently and safely. Moreover, this smart solution can be utilized in comparable applications as well.

Plarad K30 TF | K60 TF

Technical Details

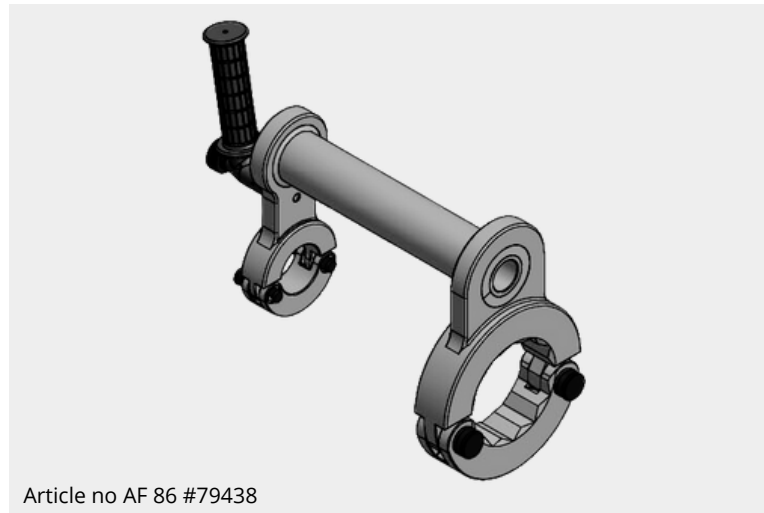
- Max torque 3000/ 6000 Nm
2212/ 4425 ft. lbs.
- Body construction aluminum
- Weight 4,5/5,7 Kg
10/12,7 Lbs
- Ring spanner available in different versions
from AF 24 - AF 90
- Compact dimension
- Easy to repair & maintain
- Easy to use
- Durable and solid



Article no K-30 #79464 | K-60 #79469

Plarad counter wrench

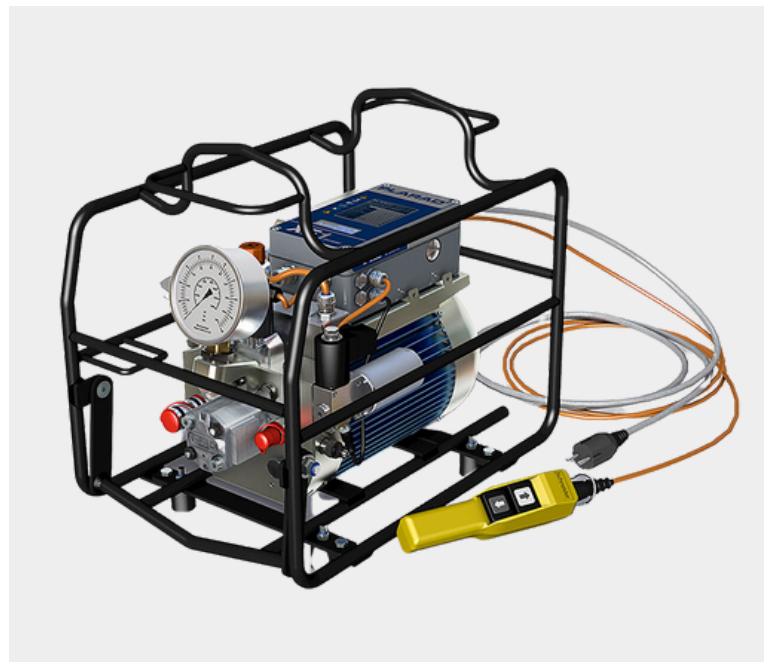
- Advanced ergonomic design
- Robust and strong
- Available in a range of sizes
- Easy to use and maintain
- Designed for high precision tightening and loosening of bolts
- Safety handle to avoid accidents



Article no AF 86 #79438

Plarad XE1eco 10+

- Pressure range 800 bar
11600 psi
- Body construction aluminum
- Flow rate 5.4 l/min
- Advanced ergonomic design
- Robust and strong
- Available in a range of sizes
- Easy to use and maintain
- Designed for high precision tightening and loosening of bolts



For more information and further technical details, please feel free to contact us.