

PLARAD[®]

MESSENGER

THE OFFICIAL COMPANY NEWSLETTER



Professional tools for mining and extraction processes

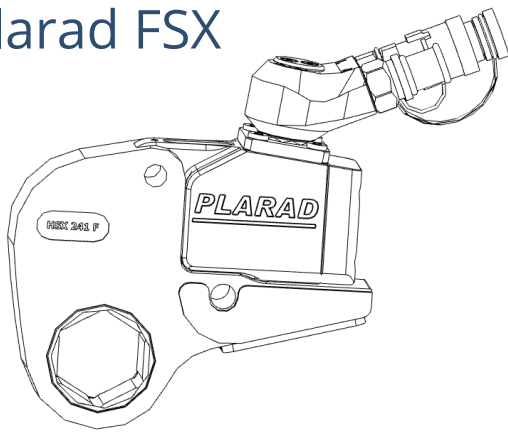
Maximum safety - minimum downtime

Plarad is a unique source for support on global mining equipment, ranging from small bucket loaders to the world's largest trucks. Being specialists we have developed custom bolting solutions for e.g. excavators that have been proven to reduce maintenance times, increase safety and assure a permanently bolted joint.

Over the years we have experienced that maintenance work and repairing activities such as changing counterweights, assembly of slew rings or fixing chains, etc. for the excavators not only slows down the process but also can affect the health of the miners. Therefore we offer tools that are customized for the mining industry that are reliable, fast, and easy for the miners to handle.

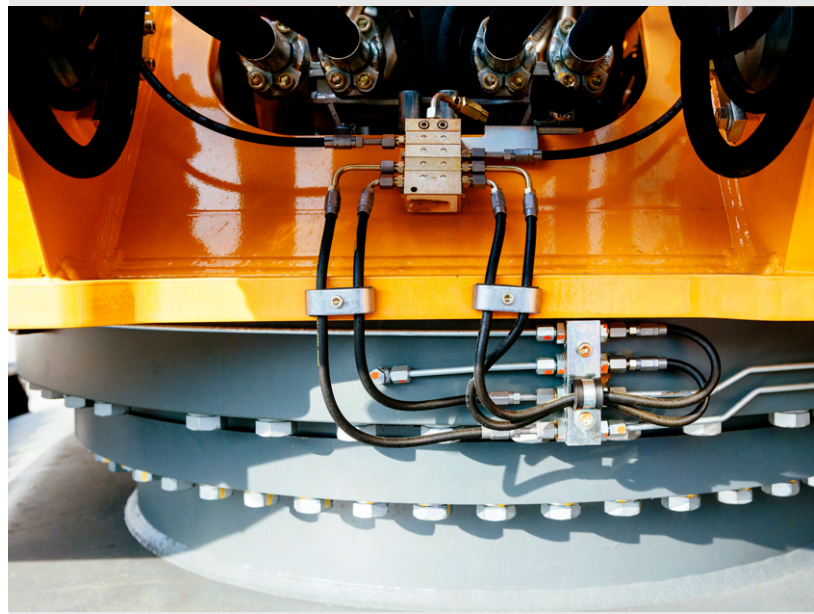
Plarad torque & tension system - your partner for mining and extraction.

Plarad FSX



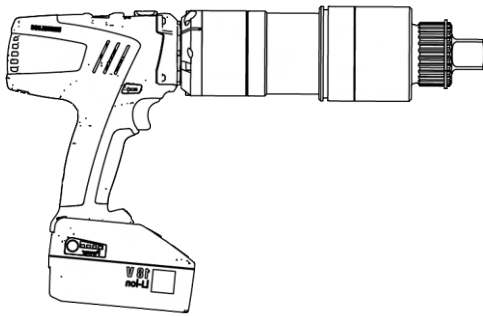
- | | |
|--------------|-----------------------------|
| Tool | • Low profile torque wrench |
| Type | • FSX F 246 |
| Max torque | • 2,350 Nm |
| Weight | • 2.7 kg |
| Max Pressure | • 800 bar |

Article no HSX 246 - 53452, Article no SX-EC 2 TS 2AS - 54130
 *MX-EC 45 is also suitable for this application



Excavator-Slew Ring

Plarad DA2 Nutrunner



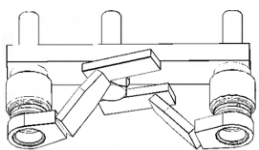
- | | |
|-------------------|------------------------|
| Max torque | • 4.800 Nm |
| Rotation per min | • 21 (gear 4) |
| Weight | • 8.50kg |
| Battery capacity | • 5.2 Ah /6 Ah Li Ion |
| Automatic locking | • Yes |
| Battery control | • Yes |
| On/off trigger | • Yes - constant speed |
| Sq drive size | • 1½ inch / 25.4 mm |

Article no - 72022 (Battery torque wrench set)
 *also suitable for pneumatic or electric nutrunners



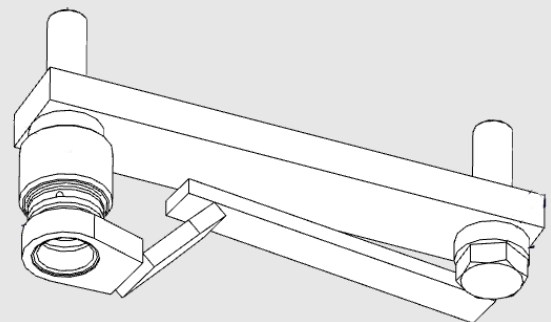
Excavator-Counter weight

Plarad reactionarm



- 4.800Nm
- 6.85 kg
- Solidly built

Project no - P03737
 please contact us for individual adaption



For more information and further technical details, please feel free to contact us.



www.plarad.de



+49 2245 62 999



info@plarad.de

