

# PLARAD® MESSENGER

THE OFFICIAL COMPANY NEWSLETTER



## Professional tools for quick service

### Maximum safety - minimum downtime

Mounting and tightening bus and truck wheels properly are of top importance! Safety of drivers and passengers should be the top priority, furthermore precise bolting can reduce road accidents drastically.

Precision bolting is one of the main qualities of our DA2 nutrunner which is a truly state-of-the-art product. It is one of the most used tools, especially for the maintenance of trucks and heavy vehicles. It delivers controlled torque and has an impressive ergonomic design. This not only save time but also helps workers reduce their physical stress.

In combination with various kinds of special reaction arms, the Plarad tool is top of the market with infinite solutions.

# Plarad DA2 Nutrunner



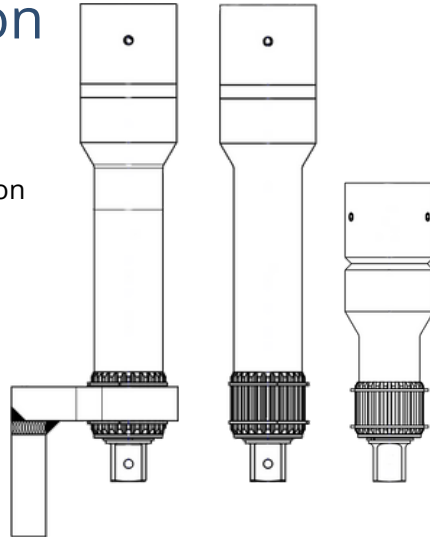
- |                        |                   |
|------------------------|-------------------|
| Max torque             | • 2,000 Nm        |
| Rotation per min       | • 25 (gear 4)     |
| Weight                 | • 6.85 kg         |
| Battery capacity       | • 5.2 Ah / 6 Ah   |
| On/off trigger         | • constant speed  |
| Sq drive size          | • 1inch / 25.4 mm |
| Active battery control | • Yes             |
| Automatic lock/release | • Yes             |

Article no 72010s  
available in different power classes 130-8000 Nm



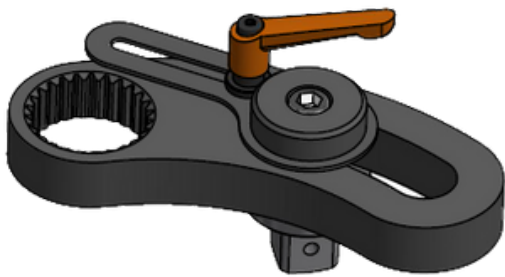
## Plarad extension

- Various lengths available
- Up to 5,000 Nm
- Inner shaft for safe operation
- Heavy duty
- 2.84 kg
- Solid built
- Sq drive 1"



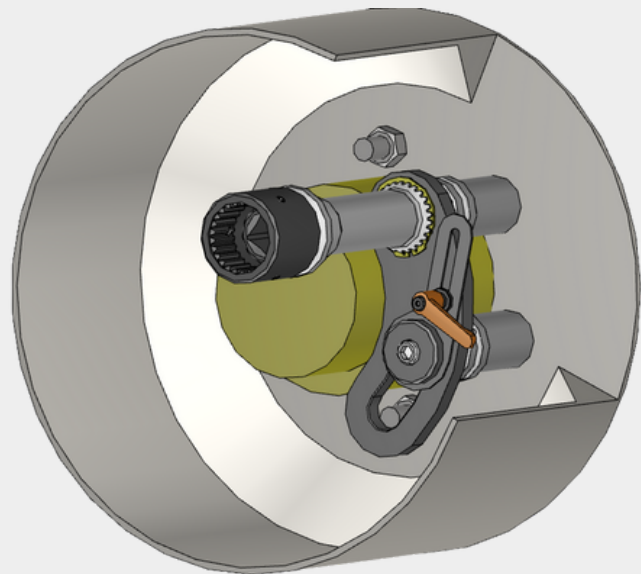
Article no - 77984, 77985, 79903  
suitable for nutrunners DA2, DE1 & DP1

## Plarad sliding reaction arm



- Covers bolt distances from 95 - 150 mm
- Up to 2,000 Nm
- Safety lock
- Heavy duty / 2.84 kg
- Solidly built
- Sq drive 1"

Article no - 78365  
suitable for DA2, DE1 & DP1 nutrunner



For more information and further technical details, please feel free to contact us.